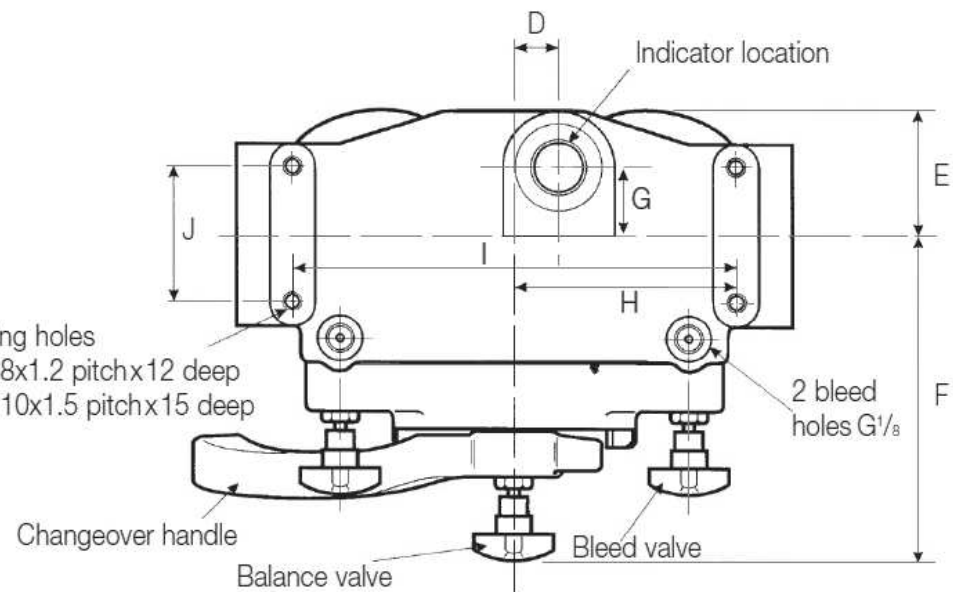
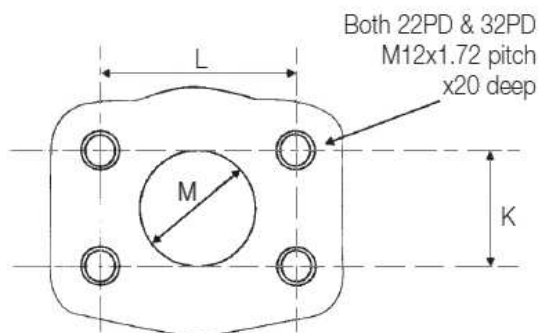


4 mounting holes
 22PD: M8x1.2 pitch x 12 deep
 32PD: M10x1.5 pitch x 15 deep



Flange face detail



Model	A	B	C	D	E	F	G	H	I	J	K	L	M	N
22PD-1	240	35	92	18	55	150	32	96	192	60	30	59	Ø30.75	236
22PD-2														345
32PD-1	306	42	130	20	78	170	33	120	240	75	36	70	Ø38	317
32PD-2														437

Dimensions in mm

22PD-32PD
 Dimensional drawing

